

## Direct Drive, Electric Flange Models

1-1/8" Hollow Shaft with NEMA 182/184 TC Mounting Flange  
1750 RPM



- Brass Manifold
- Heat Treated Crankshaft
- Stainless Steel Piston Guides
- High Strength Aluminum Alloy Connecting Rods
- Industrial Quality Bearings
- Solid Ceramic Plungers
- Stainless Steel Check Valves
- Heavy Duty Flat Base High Pressure Seals
- 11.5 oz. Capacity Vented Oil Bath Crank Case
- 1/2" BSP-F Inlet. 3/8" BSP-F Outlet
- Max Fluid Temp, 160°F

### AD Series Direct Drive, Electric Motor Flange Plunger Pumps

AD Series standard duty plunger pumps include a wide range of models with flow rates from 2.5 to 4.0 GPM and pressures up to 2900 PSI.

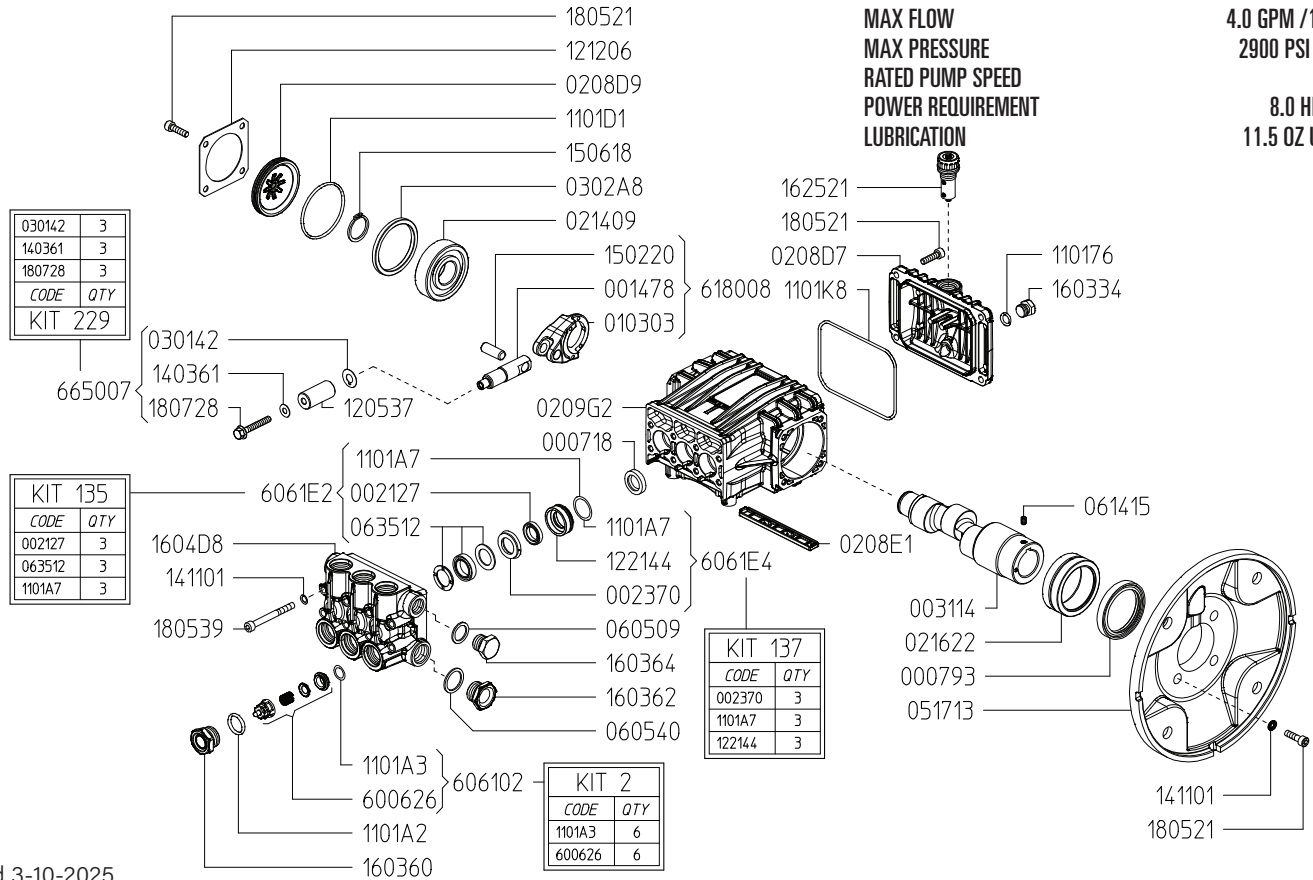
Other drive options include 24mm solid shaft, gas engine flange and hydraulic motor flange.

Applications include general pressure cleaning, sewer jetting, vehicle wash equipment and fire fighting applications.

1750 RPM	Model	Flow		Pressure		Plunger Dia.	Crankshaft		Power	Seal Kit	Valve Kit	Wt.
		GPM	l/min	PSI	bar		Stroke	Code				
	<b>AD 4.0/30 U</b>	4.0	15.0	2900	200	18mm	12.5mm	S	8.0 EBHP	6061.B2	6061.02	14.3 lbs

NOTE: All pump models available with left-hand drive option. Add 'L' to model number when ordering (ex. AD 4.0/30 UL)

4.0 GPM / 15.0 L/MIN  
 2900 PSI / 200 BAR  
 1750 RPM  
 8.0 HP ELECTRIC  
 11.5 OZ UDOR LUBE



MAX FLOW  
 MAX PRESSURE  
 RATED PUMP SPEED  
 POWER REQUIREMENT  
 LUBRICATION

Revised 3-10-2025

Part #	Description	Qty	Part #	Description	Qty
000718	OIL SEAL	3	1221.44	PRESSURE RING <sup>C</sup>	3
000793	OIL SEAL	1	1403.61	WASHER <sup>D</sup>	3
0014.78	PLUNGER GUIDE	3	1411.01	SERRATED WASHER	8
0021.27	WATER SEAL LP <sup>B</sup>	3	1411.01	SERRATED WASHER	4
0023.70	UPPER RING <sup>C</sup>	3	1502.20	PIN	3
0031.14	CRANKSHAFT - 1-1/8" HOLLOW	1	1506.18	SNAP RING	1
0103.03	CONNECTING ROD	3	1603.34	DRAIN PLUG	1
0208.D7	BACK COVER	1	1603.60	VALVE CAP	6
0208.D9	OIL SIGHT GLASS	1	1603.62	PLUG	1
0209.G2	CRANKCASE	1	1603.64	PLUG	1
0214.09	BALL BEARING	1	1604.D8	HEAD	1
0216.22	ROLLER BEARING	1	1625.21	OIL PLUG - G3/8	1
0301.42	SLINGER RING <sup>D</sup>	3	1805.21	ALLEN BOLT	4
0302.A8	SPACER	1	1805.21	ALLEN BOLT	4
051713	MOTOR FLANGE - NEMA 182/184	1	1805.21	ALLEN BOLT	4
0605.09	GASKET	1	1805.39	ALLEN BOLT	8
0605.40	GASKET	1	1807.28	PLUNGER BOLT <sup>D</sup>	3
0614.15	SET SCREW	1	6006.26	VALVE ASS'Y W/O O-RING <sup>A</sup>	6
0635.12	HIGH PRESSURE SEAL KIT <sup>B</sup>	3	6180.08	CONNECTING ROD ASSEMBLY	3
1101.76	O-RING	1	6061.02	VALVE KIT (KIT 2)	1
1101.A2	O-RING - VALVE CAP	6	6061.E2	WATER SEAL KIT (KIT 135)	1
1101.A3	O-RING - VALVE <sup>A</sup>	6	6061.E4	BRASS RING KIT (KIT 137)	1
1101.A7	O-RING <sup>B,C</sup>	3	6650.07	PLUNGER BOLT KIT (KIT 229)	1
1101.D1	O-RING - OIL SIGHT GLASS	1			
1101.K8	O-RING - BACK COVER	1			
1205.37	CERAMIC PLUNGER	3			
1212.06	RETAINER - SIGHT GLASS	1			

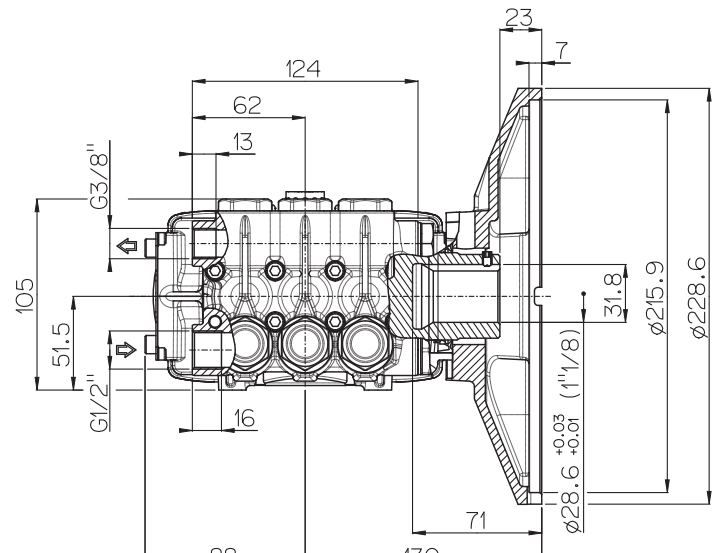
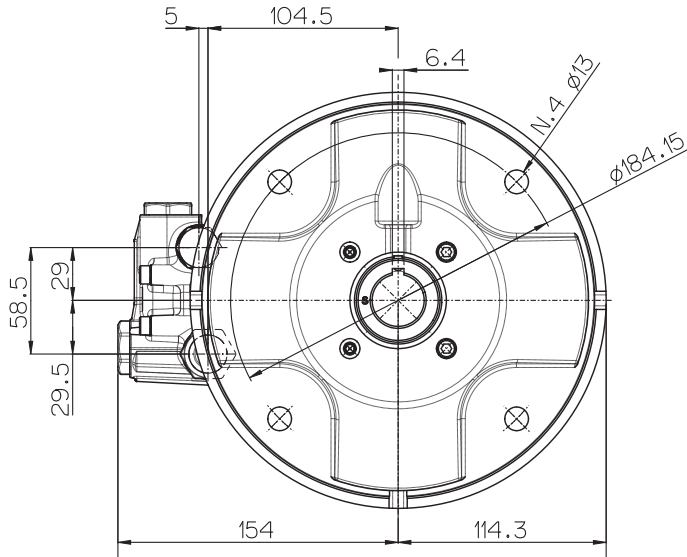
<sup>A</sup> Parts in 6061.02 (Kit 2).  
<sup>B</sup> Parts in 6061.E2 (Kit 135).  
<sup>C</sup> Parts in 6061.E4 (Kit 137).  
<sup>D</sup> Parts in 6650.07 (Kit 229).

WEIGHT  
LUBRICATION

14.3 LBS  
11.5 OZ UDOR LUBE

*Dimensional Drawings are  
Shown in Millimeters.  
To Convert to Inches,  
Multiply Dimension x 0.03937*

## A SERIES PUMPS - 1-1/8" HOLLOW SHAFT w/ 182/184 FLANGE



## TORQUE SPECS

Ref.	Description	Ft./lb.	Nm	Loctite®
1	Head Bolts	19	25	-
2	Valve Caps	75	100	243
3	Inlet Cap	75	100	243
4	Outlet Cap	60	80	243
5	Bearing Flange Bolts	19	25	-
6	Rear Cover Bolts	19	25	-
7	Connecting Rod Bolts	9	11	243
8	Plunger Bolts	11	15	270
9	Valve Cover Bolts	-	-	-
10	Oil Drain Plug	19	25	-

